

# ST. LOUIS ZOO PRIMATE CANOPY TRAILS



**Areté**  
 ENGINEERS  
 ARETÉ ENGINEERS, PLLC  
 708 Valley Blvd.  
 Blowing Rock, NC 28680  
 (828) 295-1000

OWNER:  
**ST LOUIS ZOO**

NO.	REVISION	DATE
1	CONSTRUCTION	9-11-20
2	STEEL COORDINATION	9-21-20
3	AS BUILT	4-9-21
4		
5		
6		
7		
8		

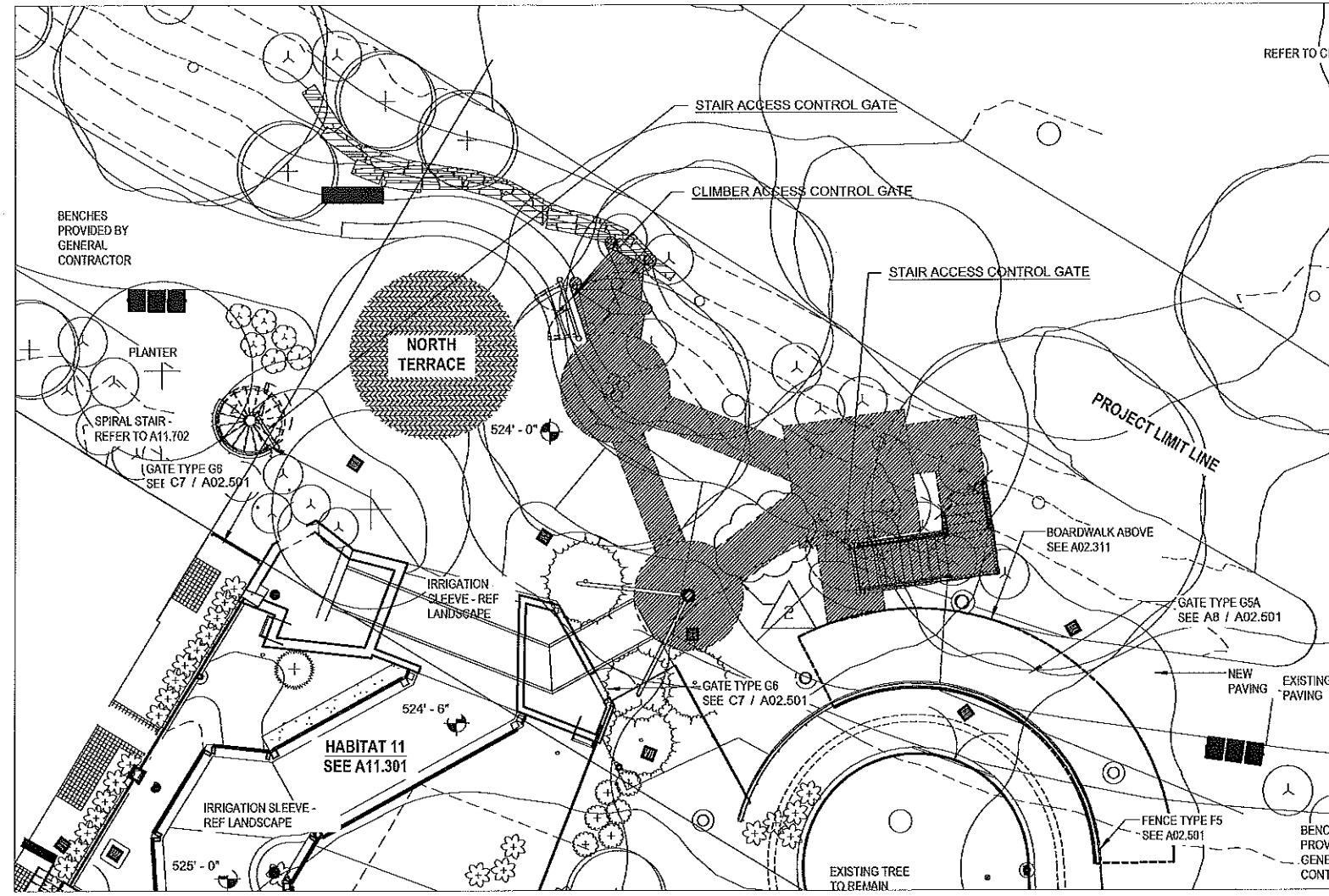
PROJECT:  
**ST LOUIS ZOO PRIMATE CANOPY TRAIL**

TITLE:  
**SITE PLAN AND SHEET INDEX**

DESIGNED BY:  
**BEANSTALK BUILDERS LLC  
 PO BOX 8357  
 MORGANTON, NC 28680**

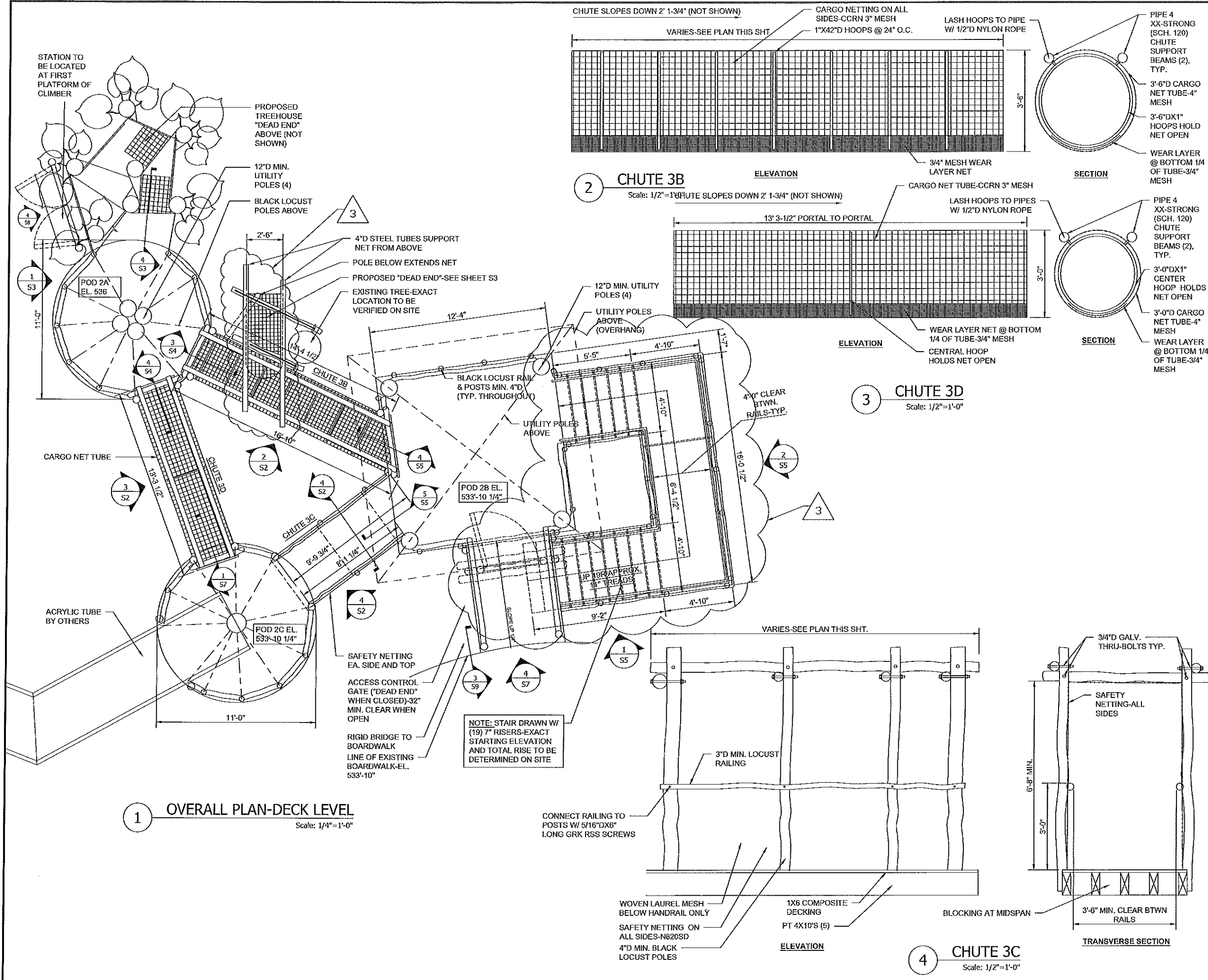
DATE: 4/21/2021  
 SCALE: AS NOTED  
 DRAWING: s12\_beanstalk.dwg  
 DWN BY: CM

SHEET: S1 OF: 13



1 **SITE PLAN**  
 Scale: 1"=10'-0"

SHEET INDEX			
S1	SITE PLAN & SHEET INDEX	S8	ACCESS CONTROL GATES
S2	OVERALL DECK LEVEL PLAN & CHUTES	S9	ACCESS CONTROL GATES, BRIDGE AT BOARDWALK DETAIL
S3	CLIMBER AND POD 2A, DEAD END AT TREE	S10	FOUNDATION SECTIONS & DETAILS
S4	POD 2A AND CHUTE DETAILS	S11	FRAMING SECTIONS & DETAILS (1 OF 2)
S5	POD 2B AND CHUTE DETAILS	S12	FRAMING SECTIONS & DETAILS (2 OF 2)
S6	POD 2C AND DETAILS	S13	STRUCTURAL GENERAL NOTES
S7	CHUTE 3D AT POD 2C, ACCESS CONTROL GATES		



**Arete**  
ARETE ENGINEERS, PLLC  
7500 Highway 70C  
Blowing Rock, NC 28605  
NRI 10/25/18, 10/25/17

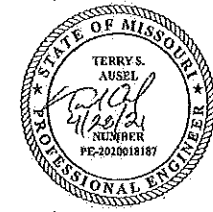
ENGINEER: **ST LOUIS ZOO**

NO.	REVISION	DATE
1	CONSTRUCTION REVISION	9-11-20
2	STEEL CO-ORDINATION	9-21-20
3	AS BUILT	4-9-21
4		
5		
6		
7		
8		

PROJECT: **ST LOUIS ZOO PRIMATE CANOPY TRAIL**  
TITLE: **OVERALL DECK LEVEL PLAN & CHUTES**

DESIGNED BY: **BEANSTALK BUILDERS LLC**  
PO BOX 8357  
MORGANTON, NC 28680

DATE:	4/21/2021
SCALE:	AS NOTED
DRAWING:	s2z_beanstalk.hwg
DWN BY:	CM
SHEET:	OF:
<b>S2</b>	<b>13</b>



**Areté**  
 ENGINEERS, PLLC  
 706 VALLEY RD.,  
 BOWLING ROCK, NC 28605  
 (704) 848-1111

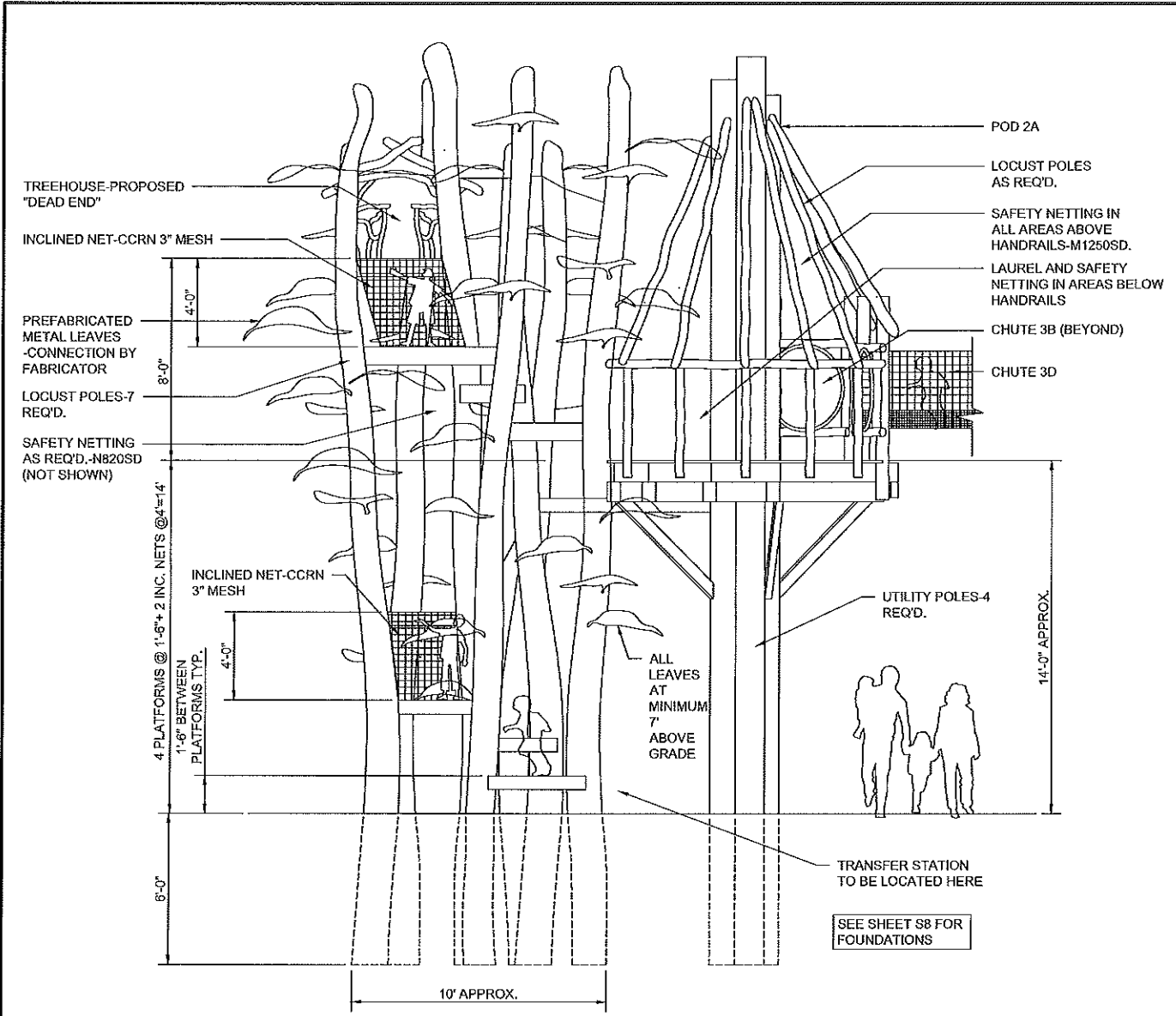
ENGINEER: ST LOUIS ZOO

NO.	REVISION	DATE
1	CONSTRUCTION REVISION	9-11-23
2	STEEL COORDINATION	9-21-23
3	AS BUILT	4-9-24
4		
5		
6		
7		
8		
9		

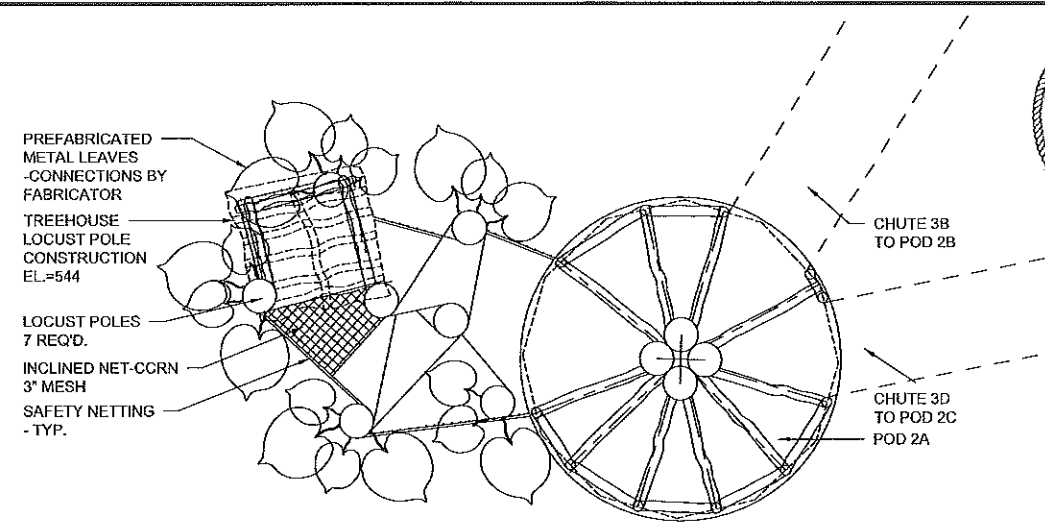
PROJECT: ST LOUIS ZOO  
 PRIMATE CANOPY TRAIL  
 CLIMBER, POD 2A,  
 DEAD END AT TREE

DESIGNED BY: BEANSTALK BUILDERS LLC  
 PO BOX 8357  
 MORGANTON, NC 28680

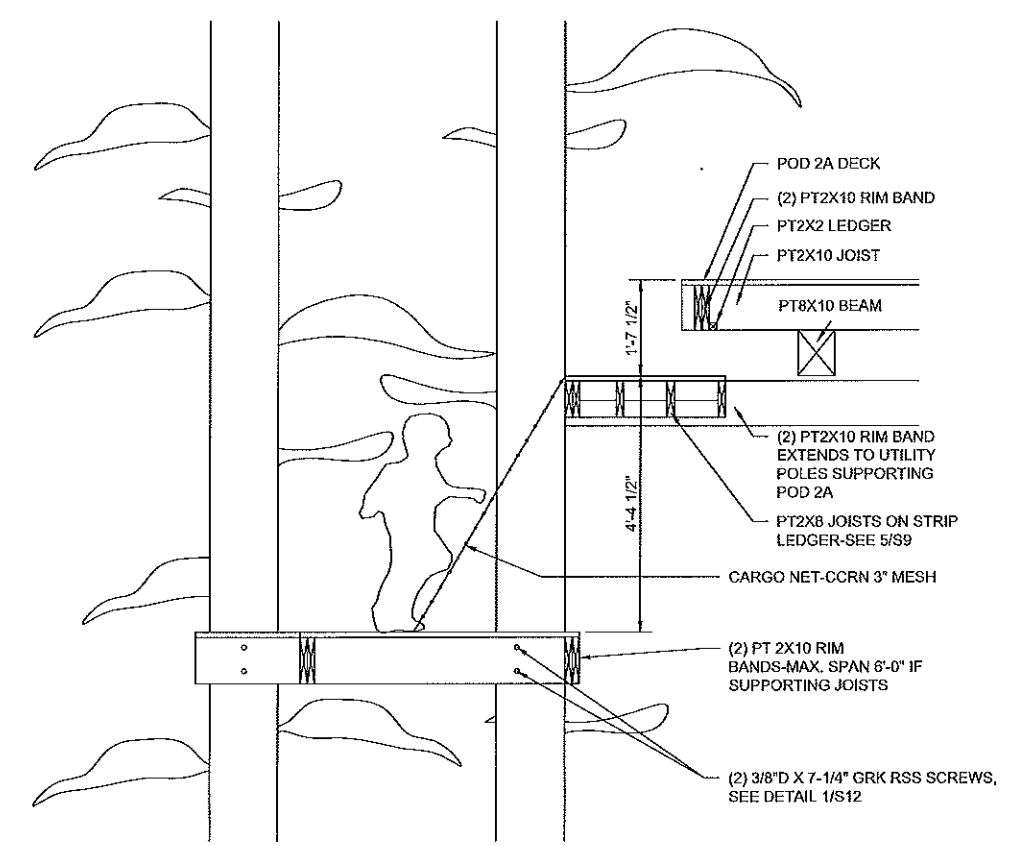
DATE:	4/21/2021
SCALE:	AS NOTED
DRAWING:	sst_beansalk.dwg
DWN BY:	CM
SHEET:	OF:
S3	13



**1 ELEVATION - CLIMBER & POD 2A**  
 Scale: 1/4"=1'-0"

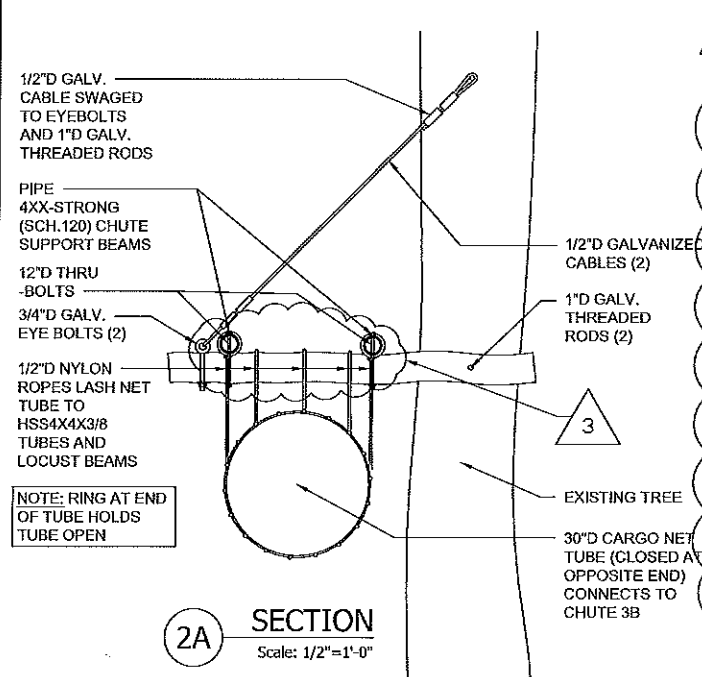


**3 CLIMBER TREEHOUSE LEVEL PLAN**  
 Scale: 1/4"=1'-0"

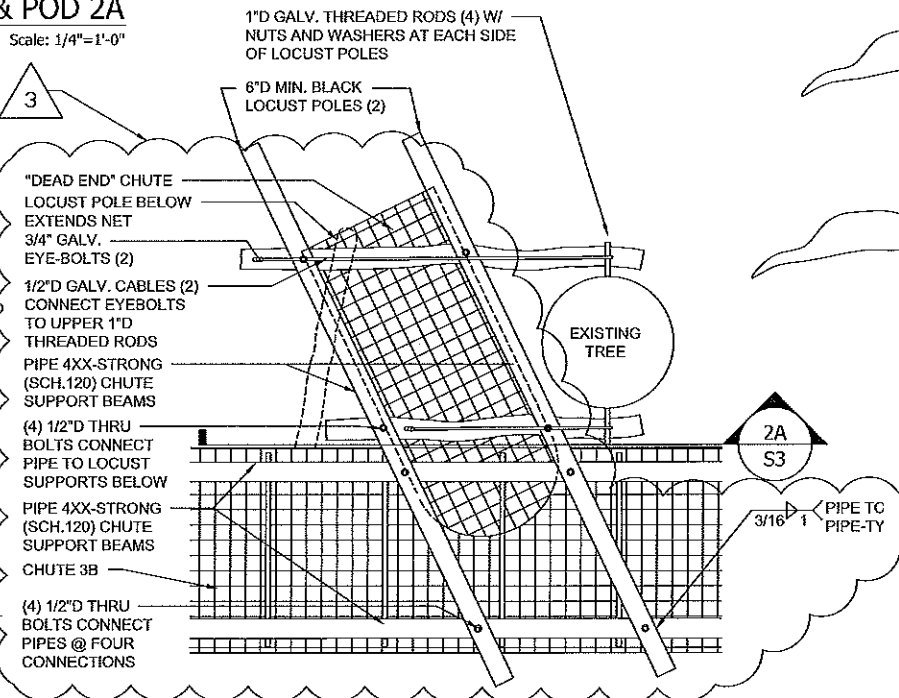


**4 CLIMBER INCLINED NET DETAIL**  
 Scale: 1/2"=1'-0"

- CLIMBER PLATFORM FRAMING NOTES:**
1. PLATFORM JOISTS SHALL BE PT2X8 @ 12"O.C. W/ MAX. SPAN OF 6'-0"-SEE TYPICAL FRAMING DETAIL 5/S9.
  2. RIM BANDS SHALL BE (2) PT2X10 W/ MAX. SPAN OF 6'-0" IF SUPPORTING JOISTS

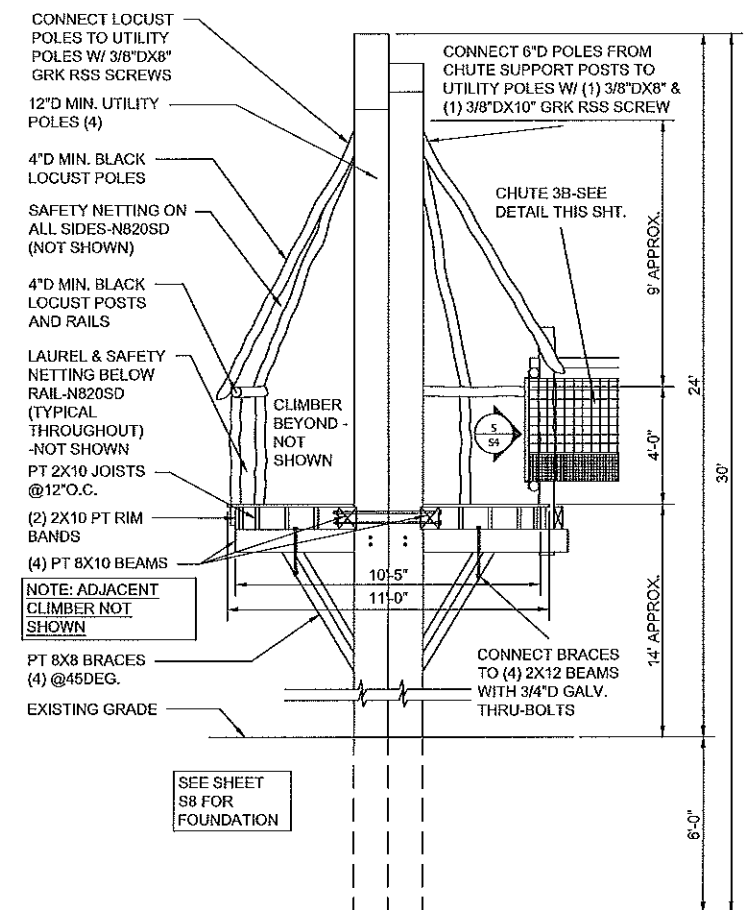
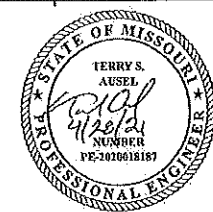


**2A SECTION**  
 Scale: 1/2"=1'-0"

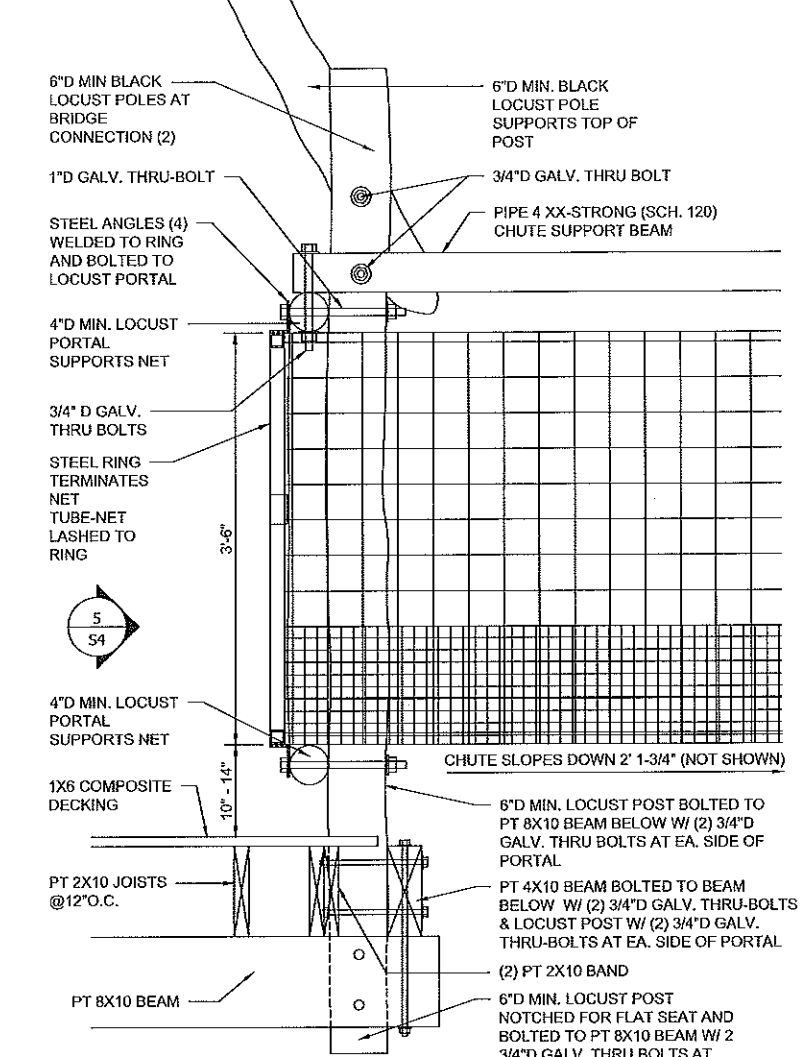


**2 PLAN-DEAD END AT TREE**  
 Scale: 1/2"=1'-0"

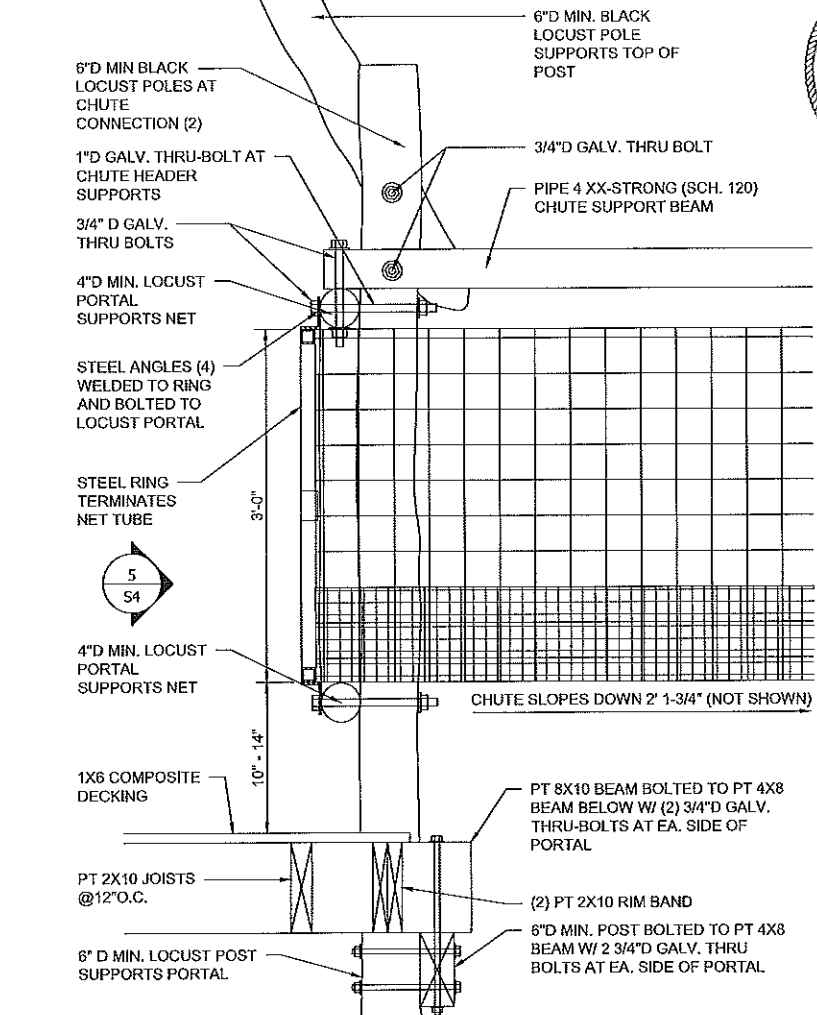
- CLIMBER PLATFORM FRAMING NOTES:**
1. PLATFORM JOISTS SHALL BE PT2X8 @ 12"O.C. W/ MAX. SPAN OF 6'-0"-SEE TYPICAL FRAMING DETAIL 5/S9.
  2. RIM BANDS SHALL BE (2) PT2X10 W/ MAX. SPAN OF 6'-0" IF SUPPORTING JOISTS



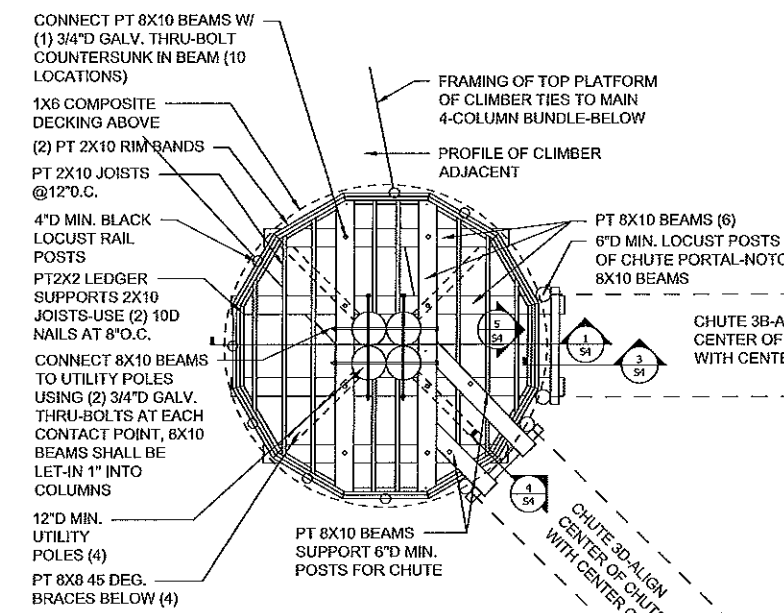
1 SECTION - POD 2A  
Scale: 1/4"=1'-0"



3 DETAIL-CHUTE 3B AT POD 2A  
Scale: 1"=1'-0"

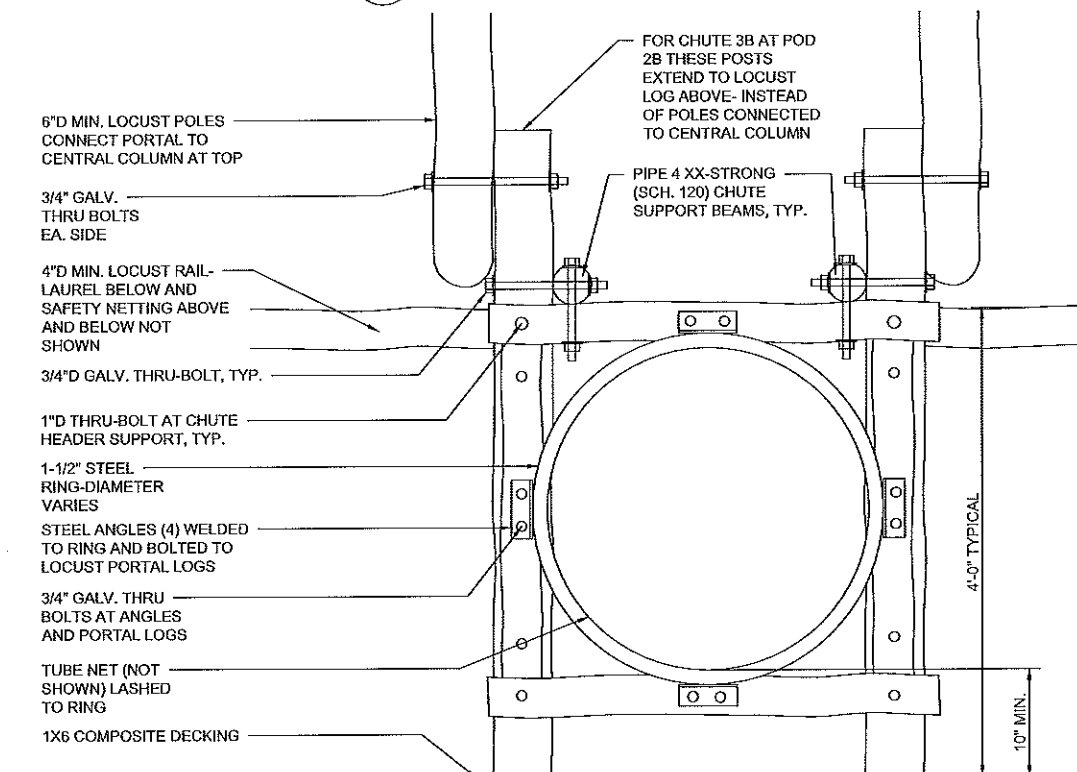


4 DETAIL-CHUTE 3D AT POD 2A  
Scale: 1"=1'-0"



2 FRAMING PLAN - POD 2A  
Scale: 1/4"=1'-0"

- POD 2A FRAMING NOTES:**
- SEE DETAILS 6, 7, & 8 ON S\_ FOR DETAILED CONNECTIONS.
  - ALL DIMENSIONAL LUMBER FRAMING SHALL BE SOUTHERN PINE #2 OR BETTER, TREATED FOR EXTERNAL APPLICATION, UNLESS NOTED OTHERWISE.
  - RE-TREAT ALL NOTCHES, CUTS, DRILLED HOLES, ETC. WITH "COPPER-GREEN-BROWN" OR EQUIVALENT WOOD PRESERVATIVE PRODUCT.
  - ALL ROUND POST TO POST CONNECTIONS SHALL BE CAPPED AND BOLTED WITH 3/4" GALV. BOLTS UNLESS NOTED OTHERWISE.



5 TYPICAL PORTAL ELEVATION  
Scale: 1"=1'-0"

**Areté**  
ENGINEER  
TERRY S. AUSET  
PROFESSIONAL ENGINEER  
LICENSE NO. PE-020618187  
ARETE ENGINEERS, PLLC  
1000 Valley Road  
Blowing Rock, NC 28605  
REV. LICENSE NO. 41137

OWNER: ST LOUIS ZOO

NO.	REVISION	DATE
1	CONSTRUCTION REVISION	9-21-20
2	STEEL CD-ORDINATION	9-21-20
3	AS BUILT	4-9-21
4		
5		
6		
7		
8		

PROJECT: ST LOUIS ZOO PRIMATE CANOPY TRAIL  
TITLE: POD 2A & CHUTE DETAILS

DESIGNED BY: BEANSTALK BUILDERS LLC  
PO BOX 8357  
MORGANTON, NC 28680

DATE: 4/21/2021  
SCALE: AS NOTED  
DRAWING: stz\_beanstalk.dwg  
DWN BY: CM  
SHEET: OF:





**Areté**  
 ENGINEERS, PLLC  
 765 Valley Blvd.  
 Blowing Rock, NC 28605  
 UNLICENSED ARCHITECT

ENGINEER: **ST LOUIS ZOO**

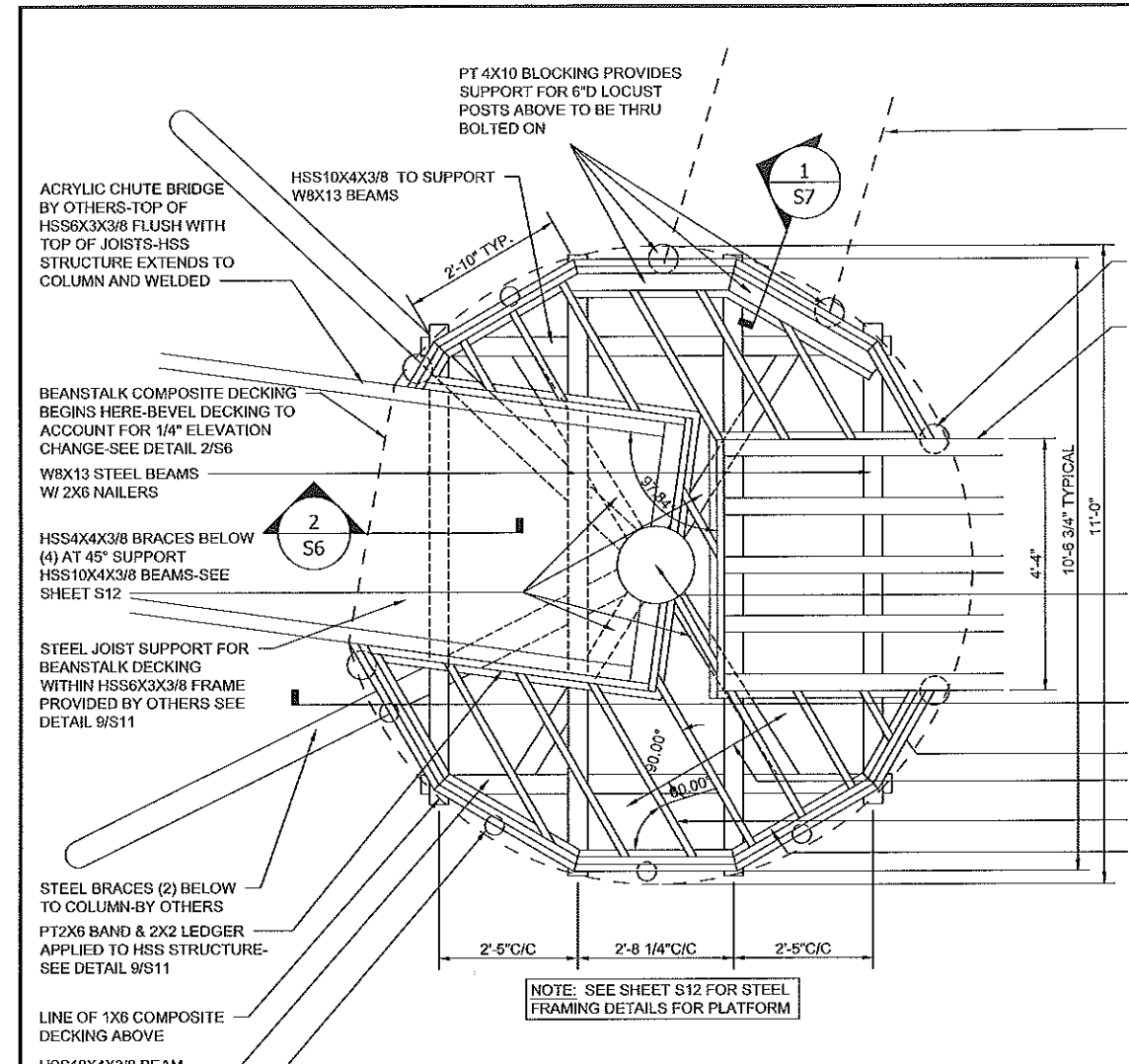
NO.	REVISION	DATE	OWNER
1	CONSTRUCTION REVISION	9-11-20	
2	STEEL CO-ORDINATION	9-21-20	
3	AS BUILT	4-9-21	
4			
5			
6			
7			
8			

PROJECT: **ST LOUIS ZOO PRIMATE CANOPY TRAIL**  
 TITLE: **POD 2C & DETAILS**

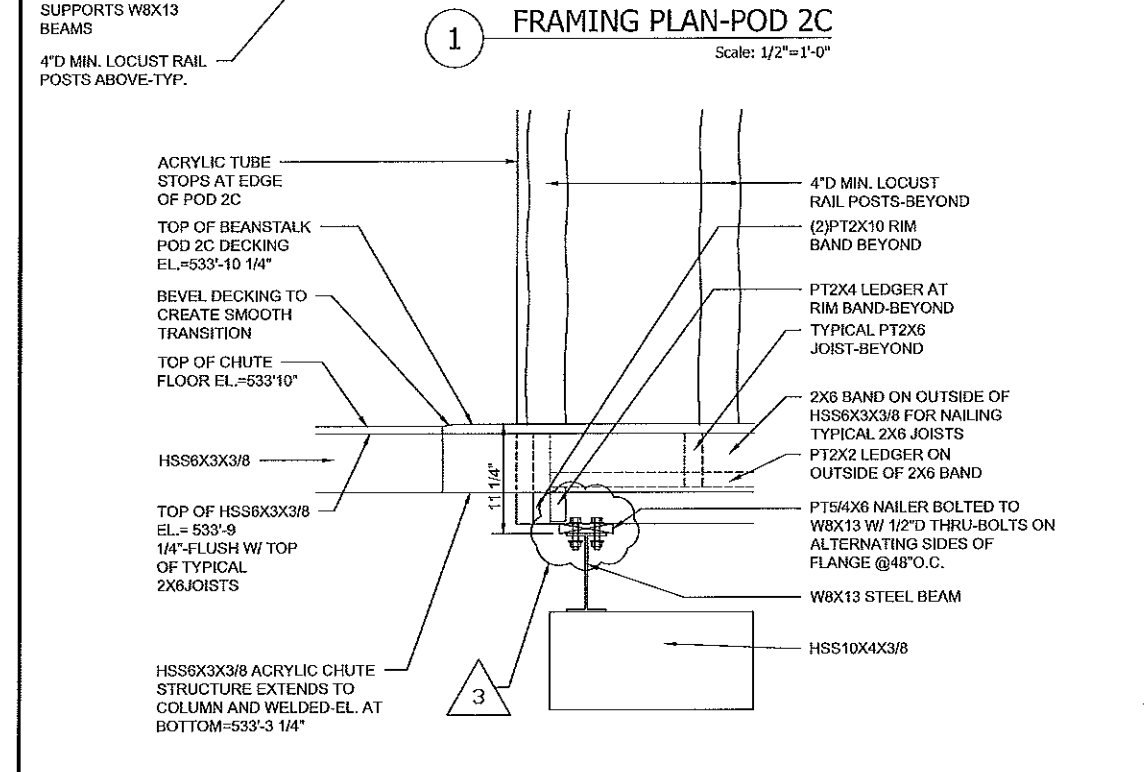
DESIGNED BY: **BEANSTALK BUILDERS LLC**  
 PO BOX 8357  
 MORGANTON, NC 28680

DATE: 4/21/2021  
 SCALE: AS NOTED  
 DRAWING: s62\_beandaR.dwg  
 DWN BY: CM

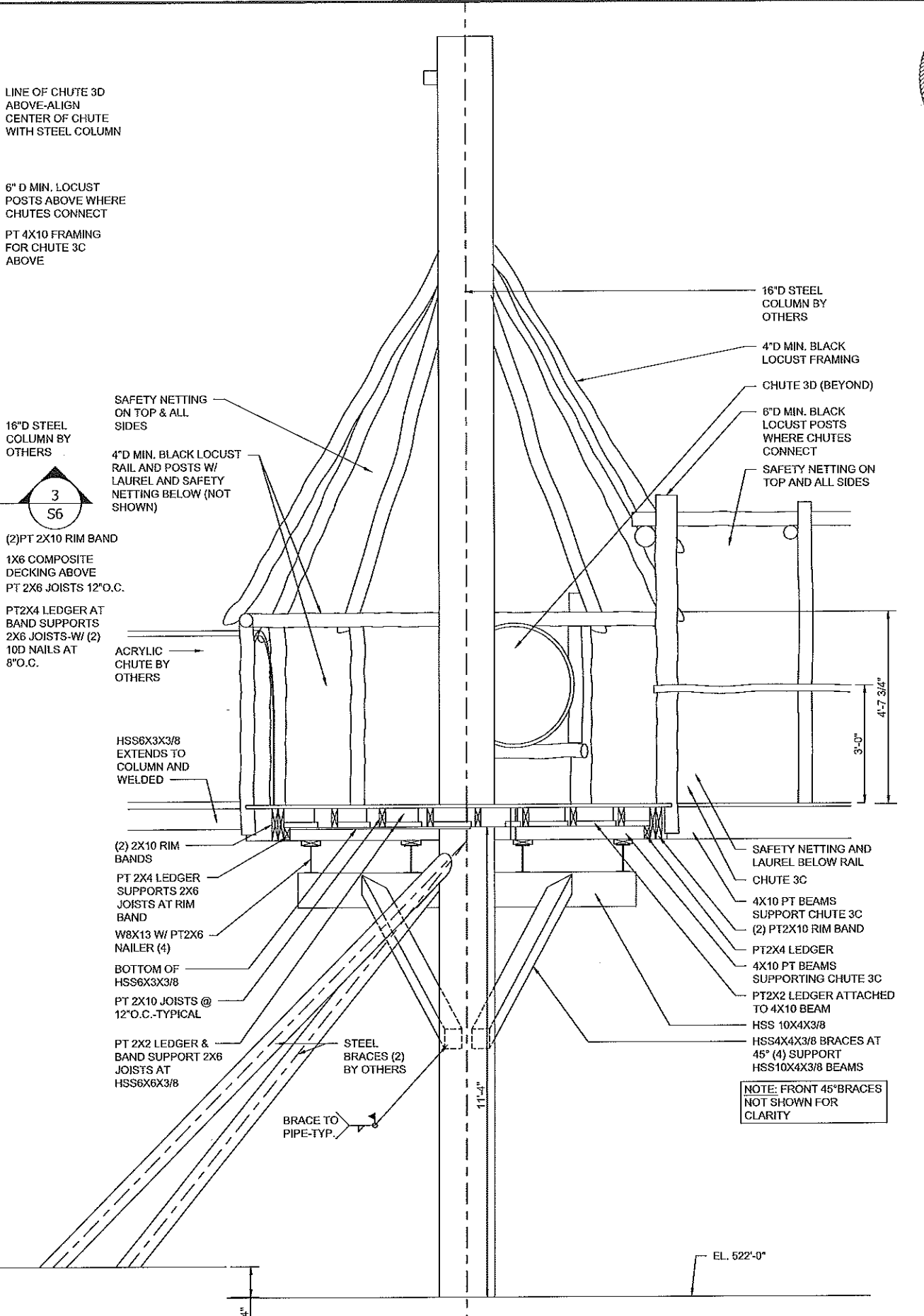
SHEET: **S6** OF: **13**



**1 FRAMING PLAN-POD 2C**  
 Scale: 1/2"=1'-0"

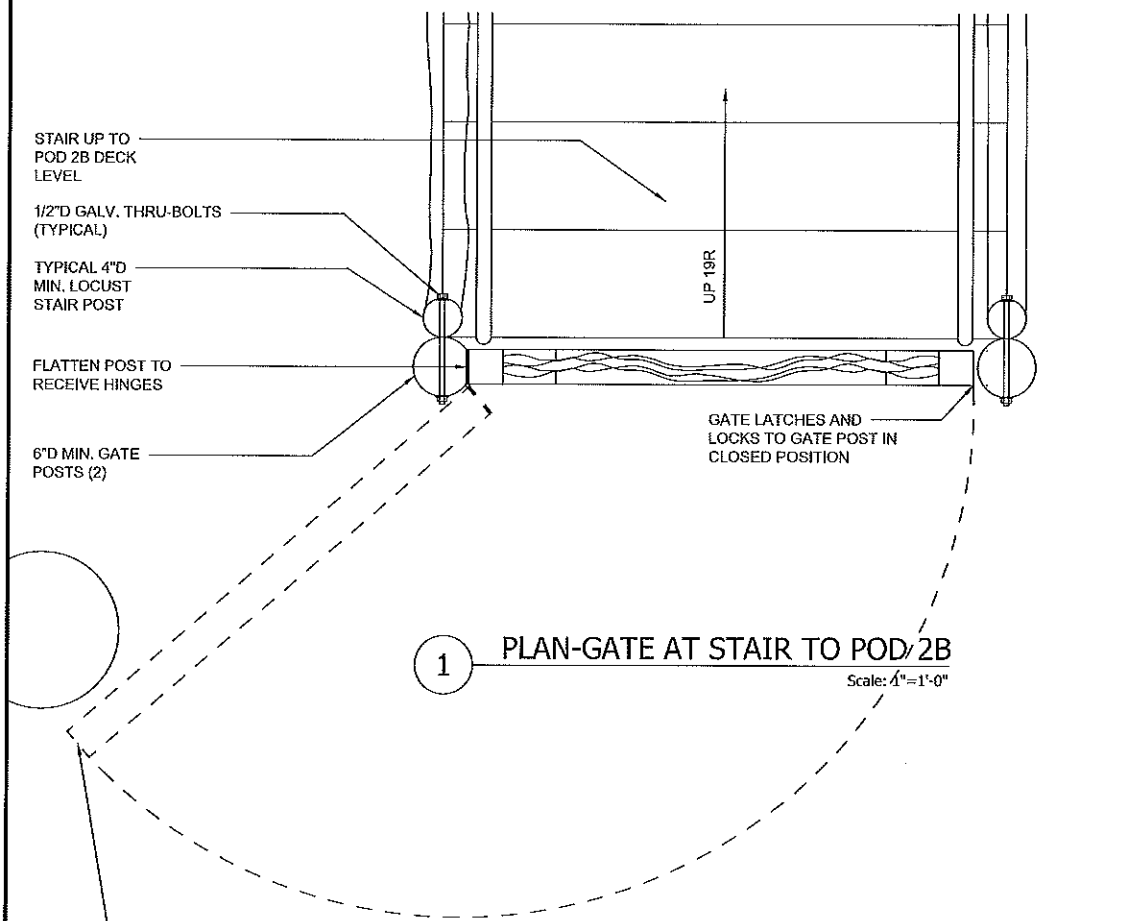


**2 DETAIL-TRANSITION AT DECKING**  
 Scale: 1"=1'-0"

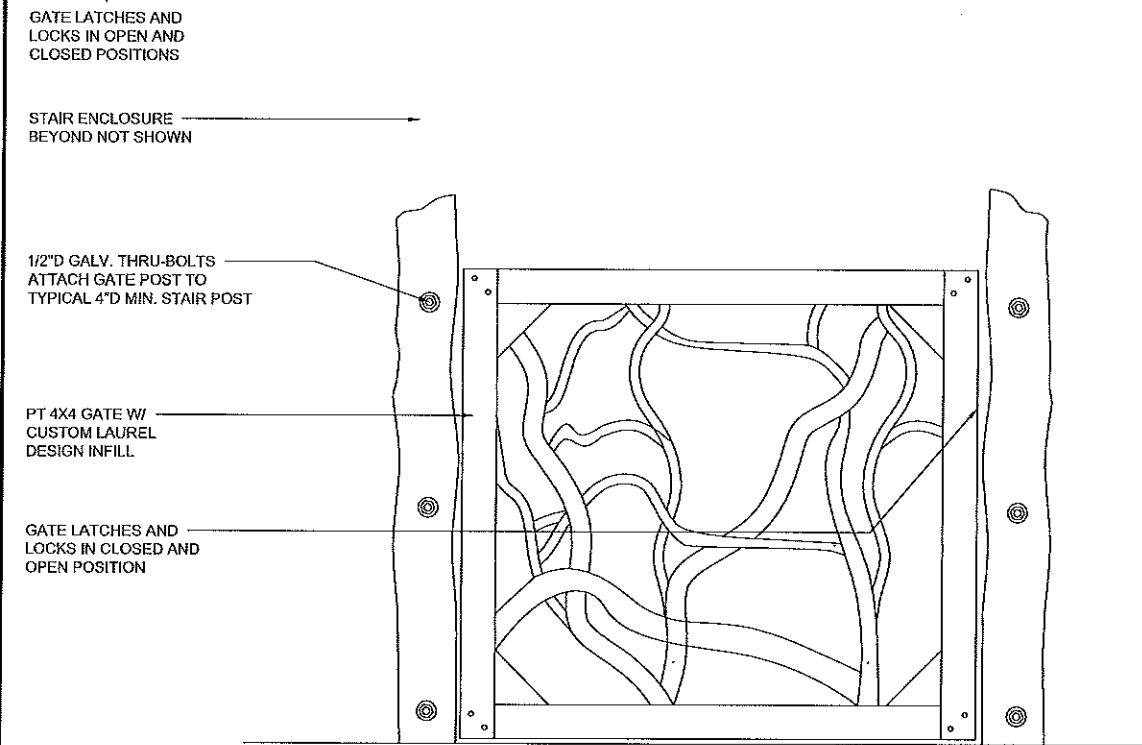


**3 SECTION-POD 2C**  
 Scale: 1/2"=1'-0"

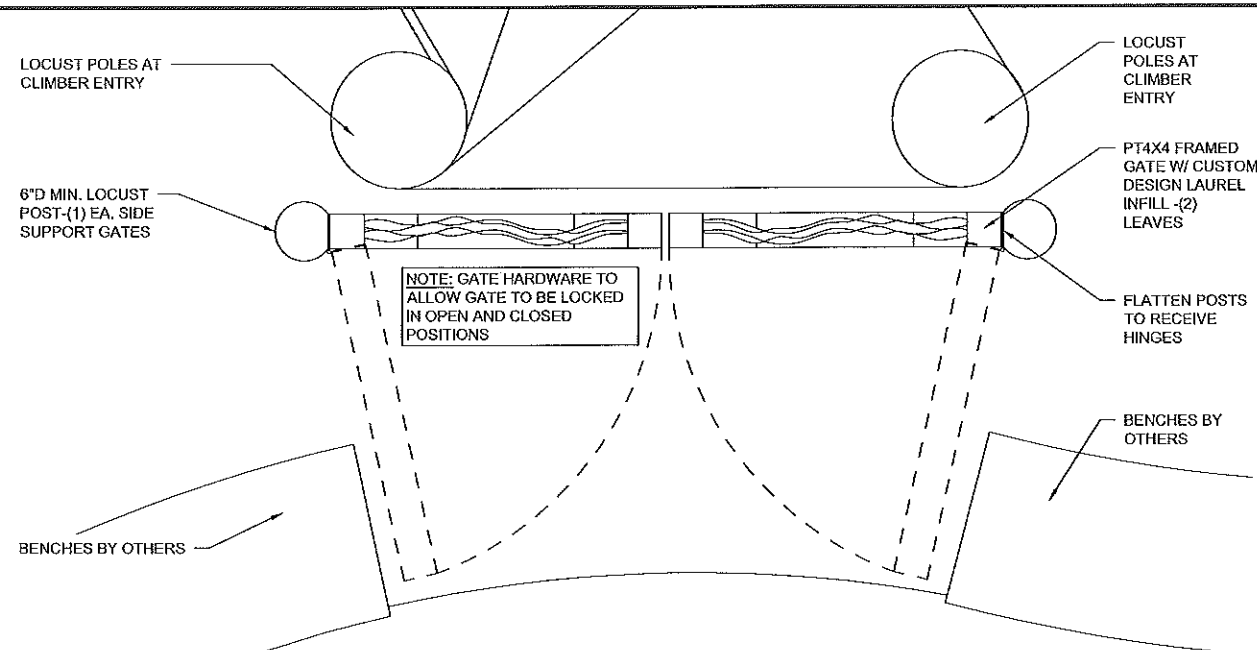




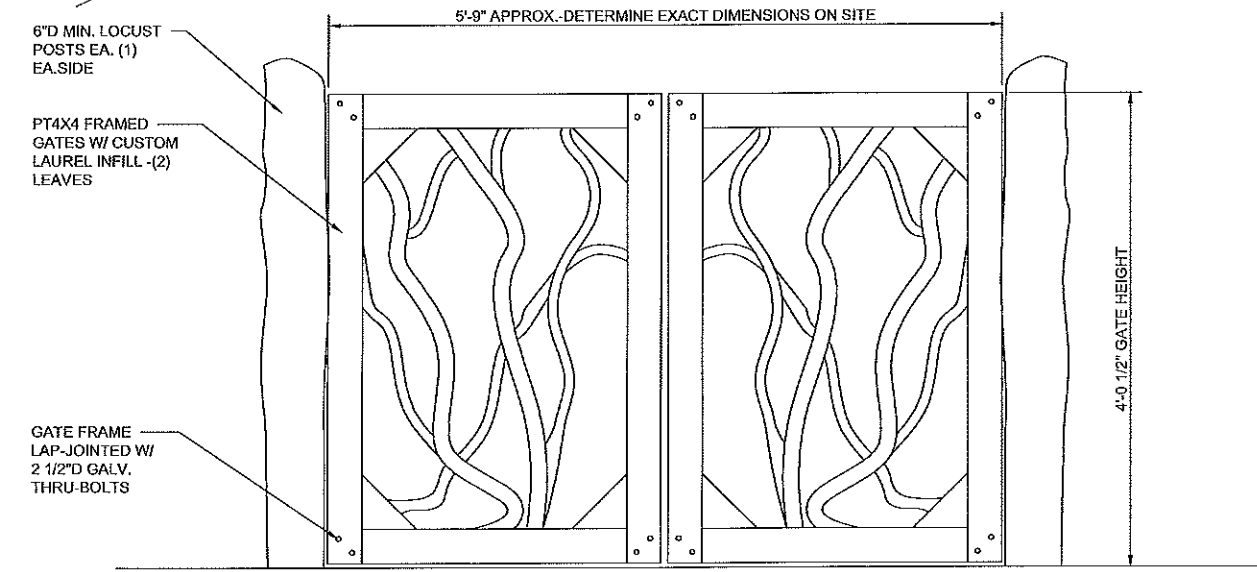
1 PLAN-GATE AT STAIR TO POD 2B  
Scale: 4"=1'-0"



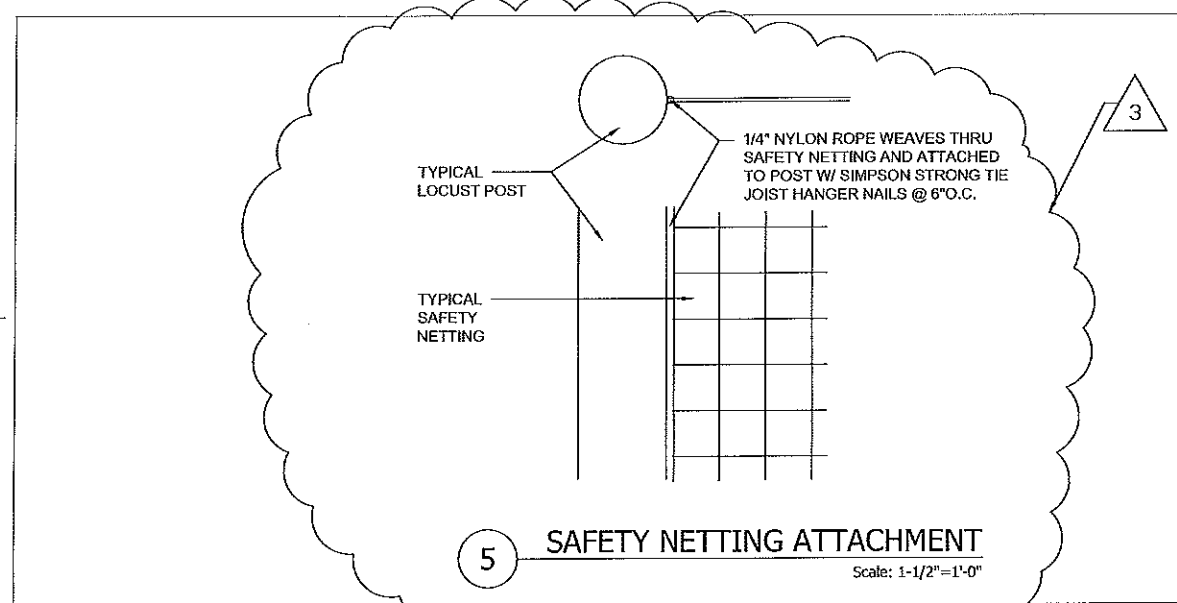
2 ELEVATION-GATE AT STAIR TO POD 2B  
Scale: 1"=1'-0"



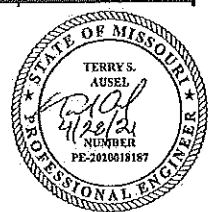
3 PLAN-GATE AT CLIMBER ENTRANCE  
Scale: 1"=1'-0"



4 ELEVATION-GATE AT CLIMBER ENTRANCE  
Scale: 1"=1'-0"



5 SAFETY NETTING ATTACHMENT  
Scale: 1-1/2"=1'-0"



**Areté**  
ENGINEERS, PLLC  
7500 Hwy 70  
Blowing Rock, NC 28605  
www.aretelnc.com

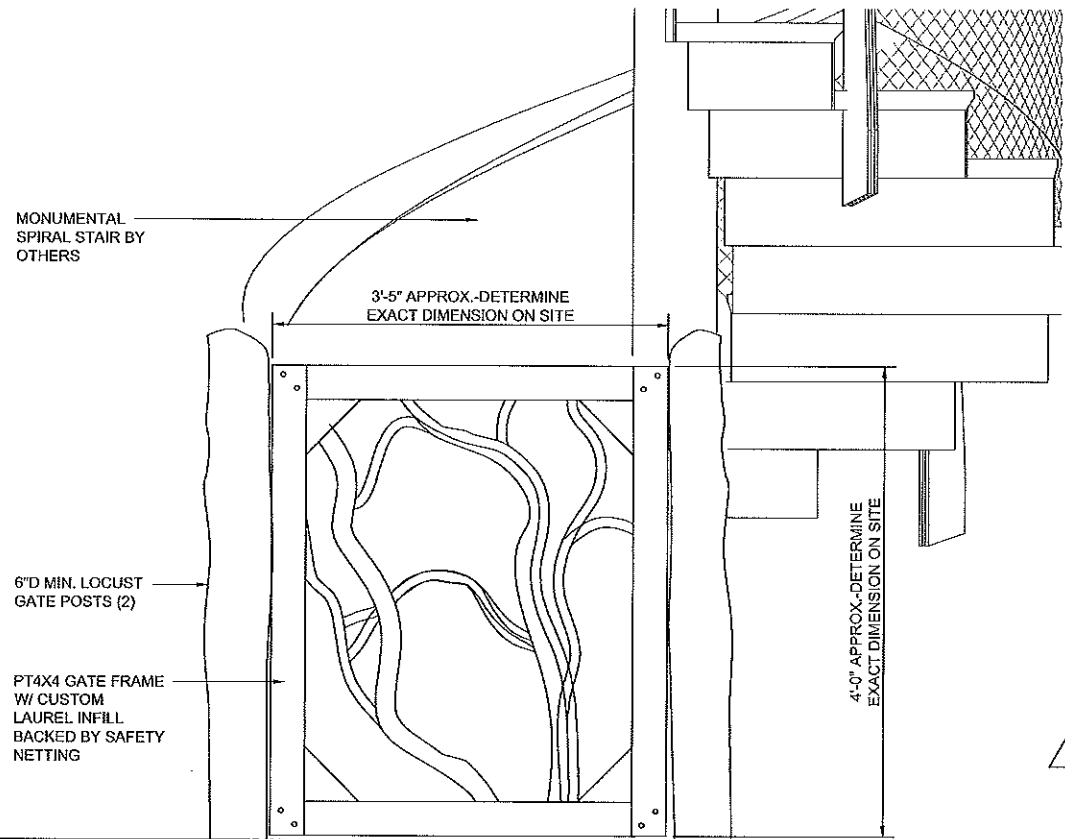
PROJECT: ST LOUIS ZOO  
TITLE: ACCESS CONTROL GATES

NO.	REVISION	DATE
1	CONSTRUCTION REVISION	9-11-20
2	STEEL COORDINATION	9-21-20
3	AS BUILT	4-9-21
4		
5		
6		
7		
8		

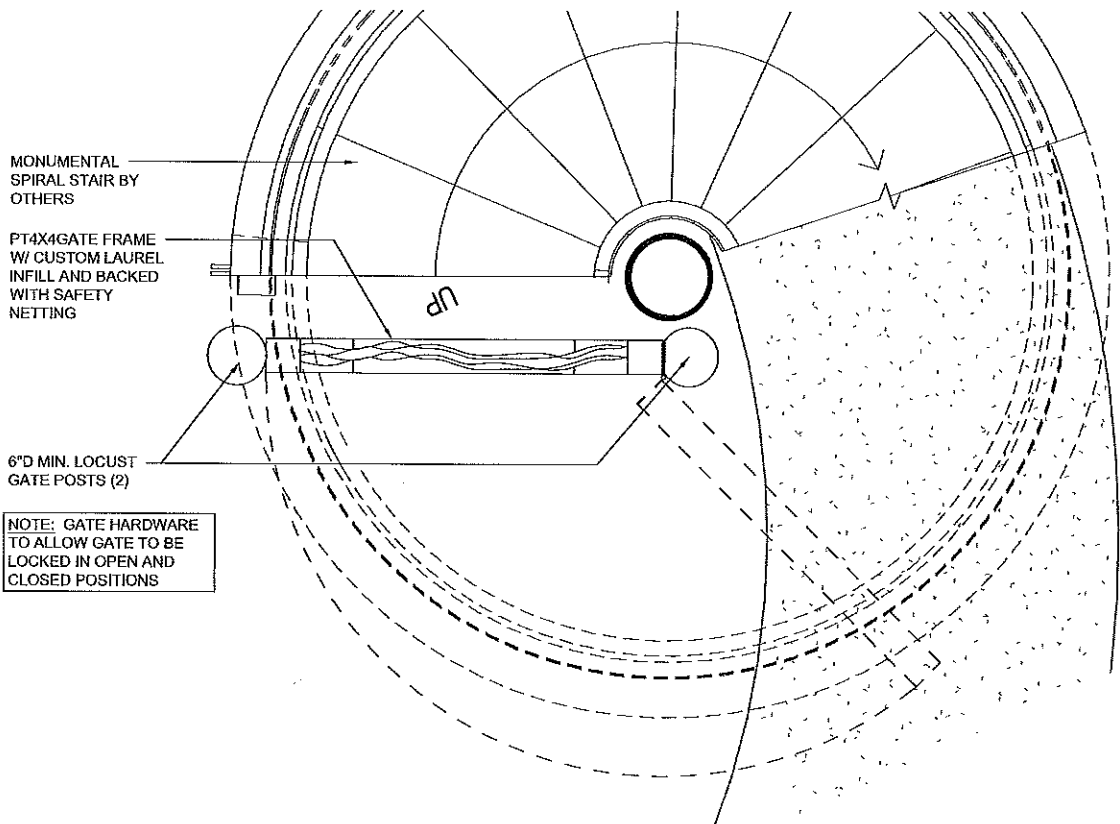
DESIGNED BY: BEANSTALK BUILDERS LLC  
PO BOX 8357  
MORGANTON, NC 28680

DATE: 4/21/2021  
SCALE: AS NOTED  
DRAWING: s2c\_beanstalk.dwg  
DWN BY: CM  
SHEET: S8 OF: 13

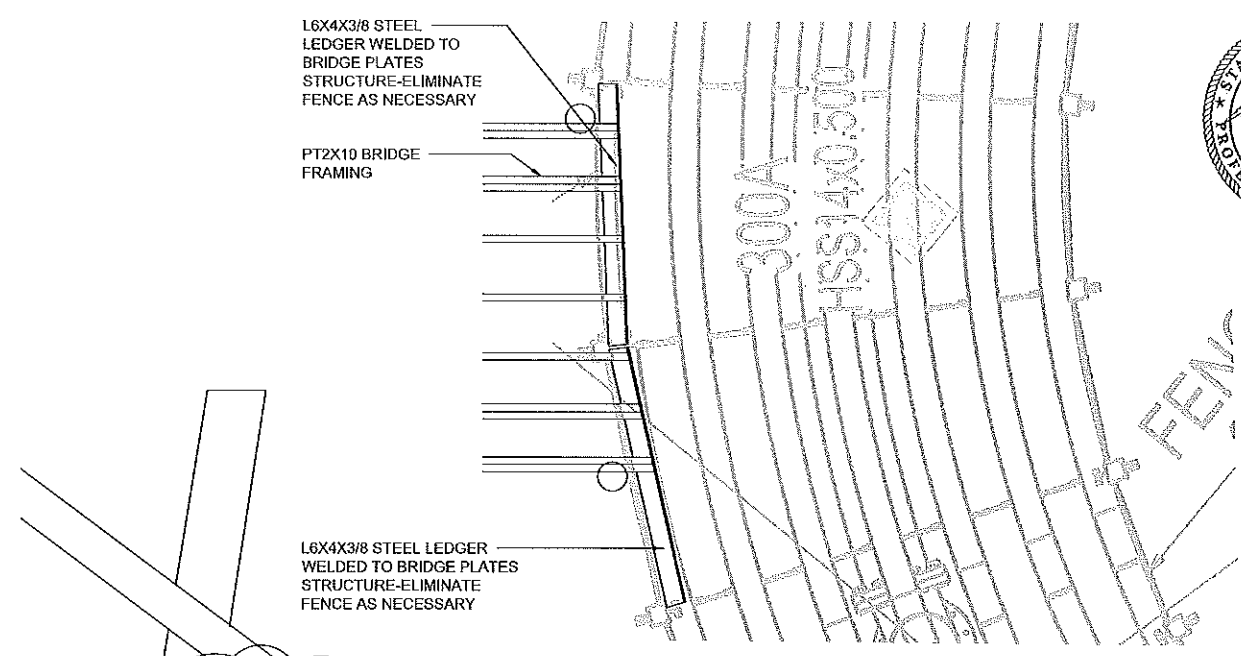




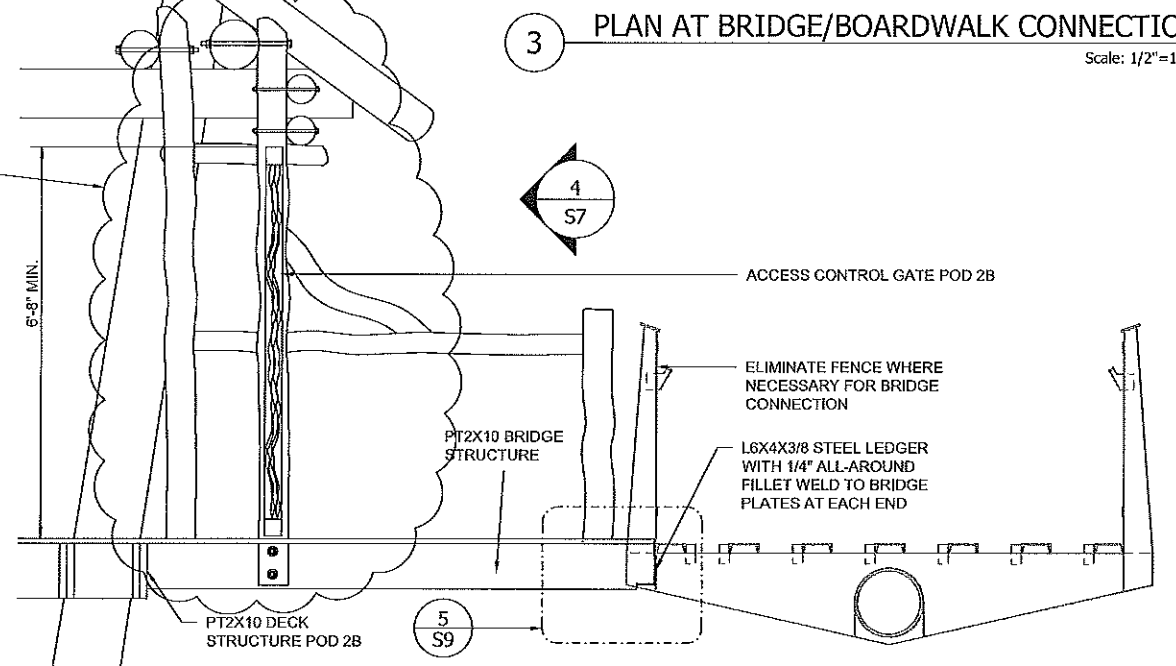
1 ELEVATION-GATE AT MONUMENTAL SPIRAL STAIR  
Scale: 1"=1'-0"



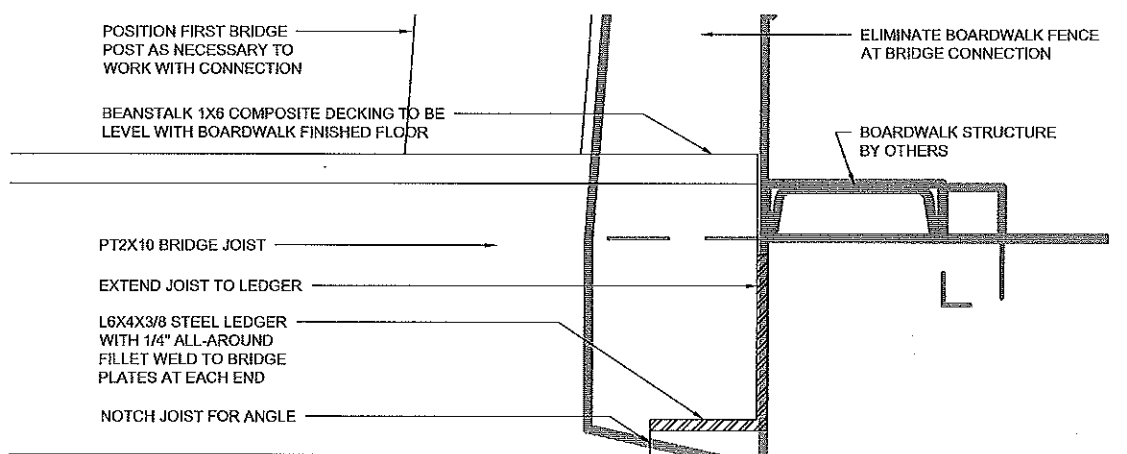
2 PLAN-GATE AT MONUMENTAL SPIRAL STAIR  
Scale: 1"=1'-0"



3 PLAN AT BRIDGE/BOARDWALK CONNECTION  
Scale: 1/2"=1'-0"



4 SECTION AT BRIDGE/BOARDWALK CONNECTION  
Scale: 1/2"=1'-0"



5 DETAIL-CONNECTION TO BOARDWALK  
Scale: 3"=1'-0"



**Areté**  
ENGINEERS  
ARETE ENGINEERS, PLLC  
785 Valley Blvd.  
Blowid Rock, NC 28605  
19th JUNE, 2021

OWNER:  
**ST LOUIS ZOO**

NO.	REVISION	DATE
1	CONSTRUCTION	9-11-20
2	STEEL CO-ORDINATION	9-21-20
3	AS BUILT	4-9-21
4		
5		
6		
7		
8		

PROJECT:  
**ST LOUIS ZOO PRIMATE CANOPY TRAIL**  
TITLE:  
**ACCESS CONTROL GATES, BRIDGE AT BOARDWALK**

DESIGNED BY:  
**BEANSTALK BUILDERS LLC**  
PO BOX 8357  
MORGANTON, NC 28680

DATE:	4/21/2021
SCALE:	AS NOTED
DRAWING:	str_beanstalk.dwg
DWN BY:	CM
SHEET:	OF:
S9	13